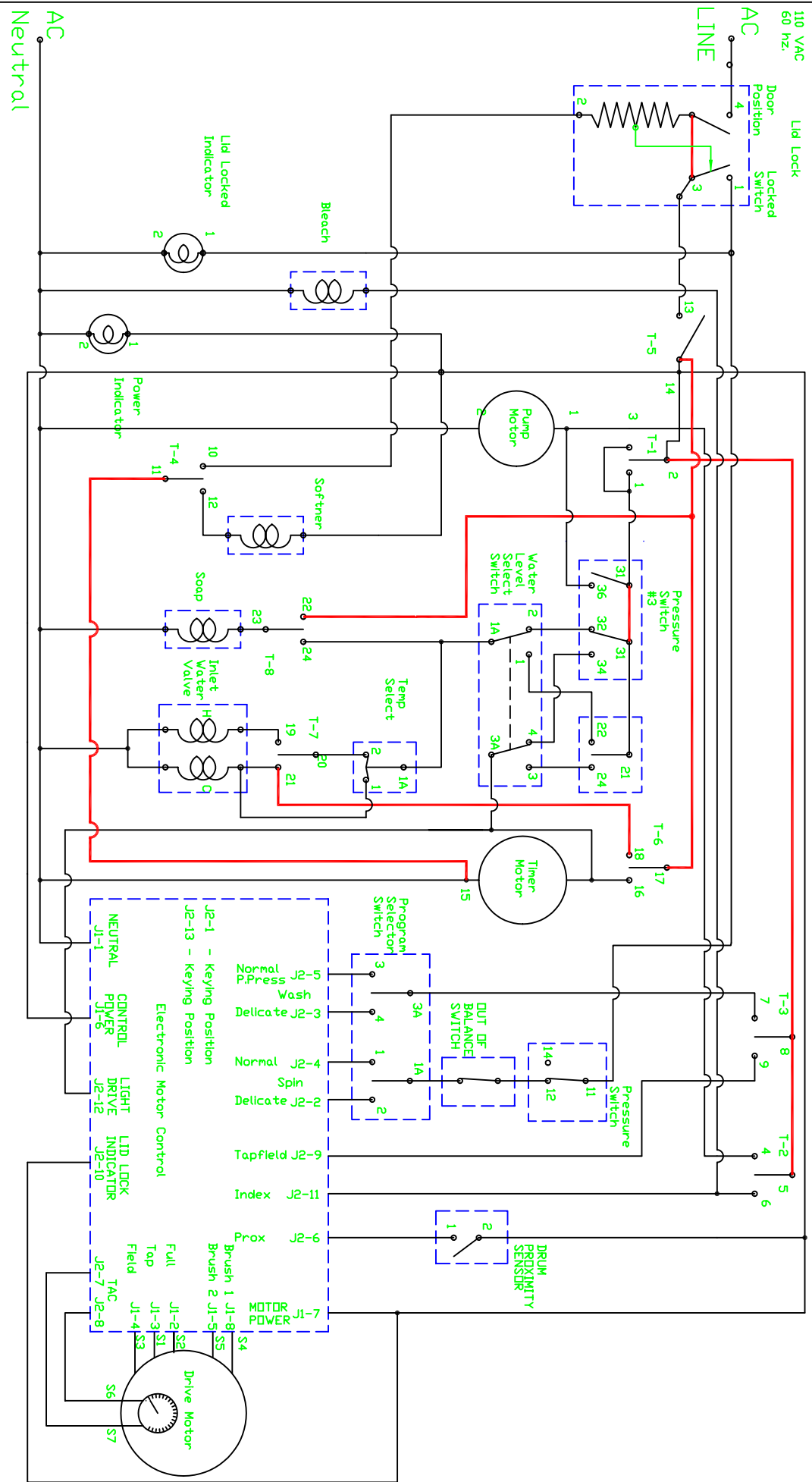


Circuit Diagram



- T-1 Fill Rinse / Wash
- T-2 Pump / Index Drum / Bleach Dispenser
- T-3 Motor Topfield / Motor Run - Wash
- T-4 Motor Run - Spin / Softener Dispenser
- T-5 Line Switch - Push (OFF) / Pull (ON)
- T-6 Timer Motor - Cold Water Rinse
- T-7 Wash Water Select / Rinse Water Select
- T-8 Soap Dispenser Power - Line / Pressure select

LEGEND
 1 T-# = TIMER SWITCH
 2 - = INTERNAL BUSSING

		DESCRIPTION: WIRING DIAGRAM HXW2304	
AFTER INITIAL APPROVAL, NO CHANGES IN DESIGN, MATERIAL, OR METHOD OF MANUFACTURE WILL BE ACCEPTED WITHOUT PRIOR AUTHORIZATION. PART NO. & DATE OF MANUFACTURE MUST BE STAMPED ON OUTSIDE OF EACH CONTAINER/PALLET.	DATE: 02/17/98	SCALE: NONE	SHEET 4 OF 5
DATE: 02/17/98	SCALE: NONE	DATE: 02/17/98	SHEET 4 OF 5

REV	DATE	BY	DESCRIPTION
1	02/28/98
2	02/28/98
3	02/28/98
4	02/28/98
5	02/28/98
6	02/28/98
7	02/28/98
8	02/28/98
9	02/28/98
10	02/28/98